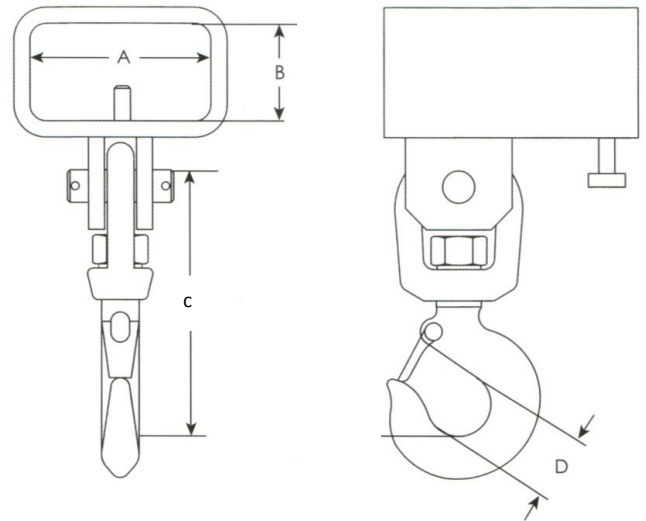


# BELOW THE HOOK LIFTING NEEDS ANALYSIS: SINGLE & DOUBLE FOR LIFTING BEAMS

Check fork lift for size to determine dimension size A

Light weight design which allows you to lift loads that are impractical for fork lifts



## Single Fork Lift Beam Model 90 Nominal Dimensions

Model # Fixed	Model # Swivel	Capacity	A	B	C Fixed	C Swivel	D
90-1-1/2-4	90-1-1/2-4	3000 LBS	4-1/2"	2-1/2"	4-1/8"	6-1/8"	1"
90-1-1/2-5	90-1-1/2-5	3000 LBS	5-1/2"	2-1/2"	4-1/8"	6-1/8"	1"
90-1-1/2-6	90-1-1/2-6	3000 LBS	6-1/2"	2-1/2"	4-1/8"	6-1/8"	1"

### Design Your Own Single Fork Beam : (Engineering must approve any modification)

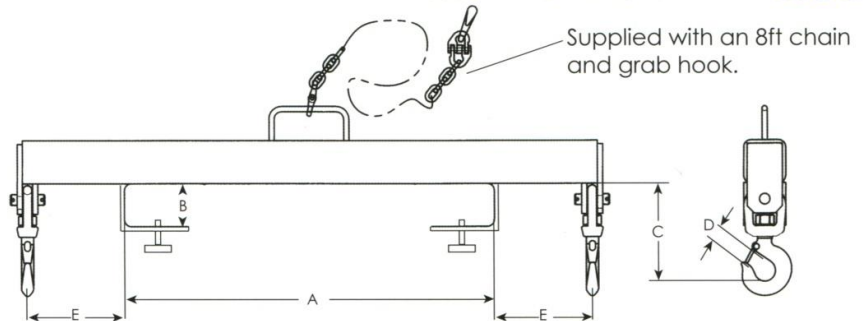
A: \_\_\_\_\_ B: \_\_\_\_\_ C: \_\_\_\_\_ D: \_\_\_\_\_ Capacity: \_\_\_\_\_

Fixed Hook / Swivel Hook: \_\_\_\_\_

Allows you to lift wider loads where the load is off centered

## Double Fork Lift Beam Model 92 Nominal Dimensions

Model #	Capacity	A	B	C	D	E
92-2-20	4000 LBS	20"	3"	7-1/4"	1"	6"
92-5-24	10000 LBS	24"	3"	8-3/4"	1-5/16"	12"



### Design Your Own Double Fork Beam: (Engineering must approve any modification)

A: \_\_\_\_\_ B: \_\_\_\_\_ C: \_\_\_\_\_ D: \_\_\_\_\_ E: \_\_\_\_\_

Capacity: \_\_\_\_\_



**Wisconsin Lifting Specialists:**

**“The SMART CHOICE in Lifting and Rigging Products”**

Toll Free: 800-242-4449

[www.wisconsinlifting.com](http://www.wisconsinlifting.com)

### Client Contact Information:

Company: \_\_\_\_\_

Contact: \_\_\_\_\_

Phone / Fax: \_\_\_\_\_

Email: \_\_\_\_\_