

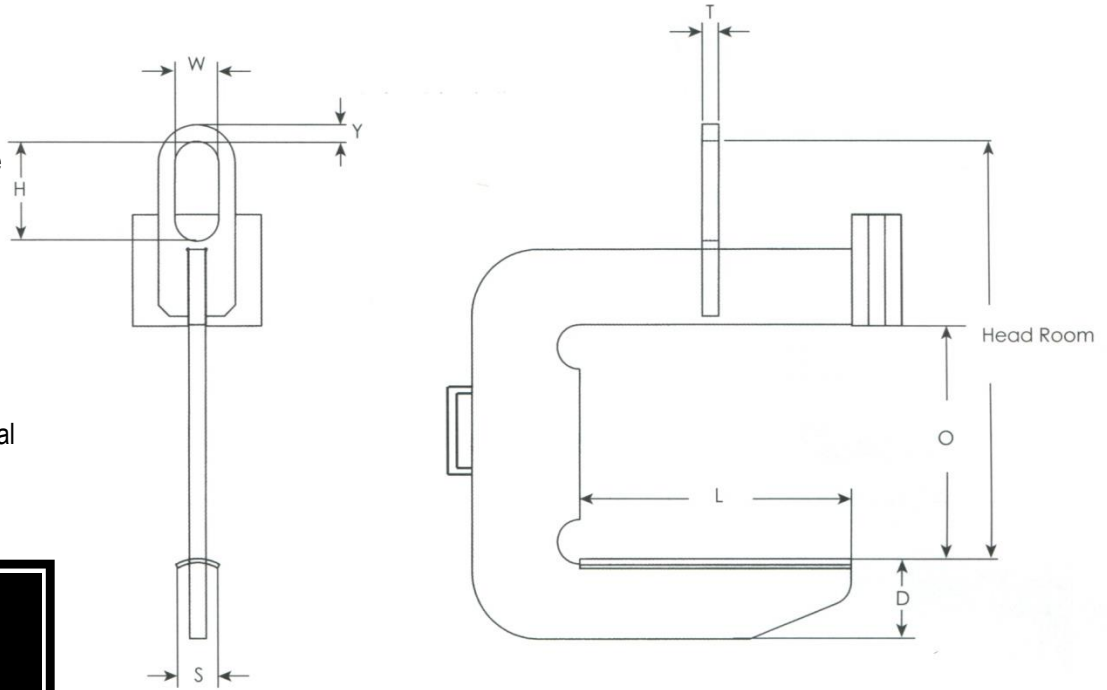
BELOW THE HOOK LIFTING NEEDS ANALYSIS: C HOOK – MODEL 56

Used for lifting steel coils

Comes standard with handles for ease of coil positioning and curved saddle plate to avoid marring

Counter weighted to hang level

Ask about coil hook stands and optional padding



Standard C Hook Nominal Dimensions

Catalog #	Capacity	Coil Width			Lifting Arm			Head Room	Bail Dimensions			
		Max	Min	O	Length L	Depth D	Width S		Y	W	H	T
56-5-36	5 Ton	36"	24"	25"	30"	6-1/4"	4"	39-3/4"	1-1/2"	4"	7"	1-1/4"
56-5-48	5 Ton	48"	30"	25"	40"	7"	4"	40-1/2"	1-1/2"	4"	7"	1-1/4"
56-5-60	5 Ton	60"	36"	25"	50"	7-3/4"	4"	41-1/4"	1-1/2"	4"	7"	1-1/4"
56-7.5-36	7.5 Ton	36"	24"	25"	30"	7"	4"	40-1/2"	1-1/2"	4"	7"	1-1/2"
56-7.5-48	7.5 Ton	48"	30"	25"	40"	7-3/4"	4"	41-1/4"	1-1/2"	4"	7"	1-1/2"
56-7.5-60	7.5 Ton	60"	36"	25"	50"	8-1/2"	4"	42"	1-1/2"	4"	7"	1-1/2"
56-10-48	10 Ton	48"	30"	25"	40"	8-1/2"	4"	42"	2"	5"	9"	1-3/4"
56-10-60	10 Ton	60"	36"	25"	50"	9"	4"	42-1/2"	2"	5"	9"	1-3/4"
56-10-72	10 Ton	72"	42"	25"	60"	10"	4"	43-1/2"	2"	5"	9"	1-3/4"

Design Your Own C Hook: (Engineering must approve any modification)

Capacity: _____ Max Coil Width: _____ Min Coil Width: _____ O: _____

L: _____ D: _____ S: _____ Head Room: _____ Y: _____

W: _____ H: _____ T: _____

Notes / Crane Hook Requirements: _____

Wisconsin Lifting Specialists:

“The SMART CHOICE in Lifting and Rigging Products”

Toll Free: 800-242-4449

www.wisconsinlifting.com



Client Contact Information:

Company: _____

Contact: _____

Phone / Fax: _____

Email: _____