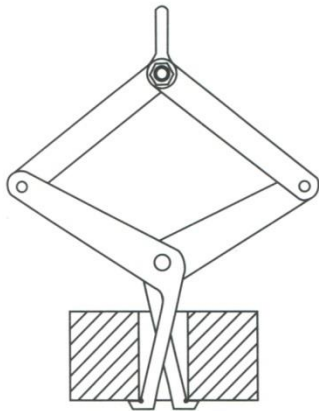
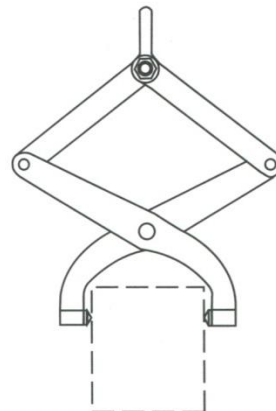


# BELOW THE HOOK LIFTING NEEDS ANALYSIS: TONGS – MODEL 10



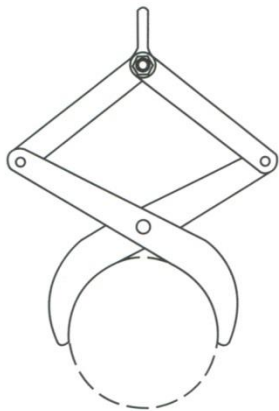
### ID TONG

Inside diameter tongs are for lifting material by gripping inside holes. Limited range for each tong.



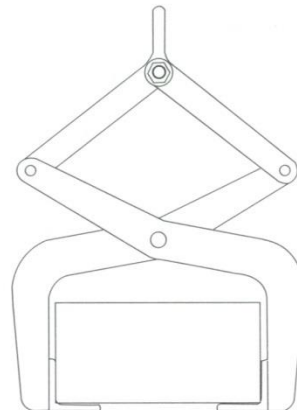
### PRESSURE TONG

Pressure tongs are for lifting material by a squeezing force.



### O.D. TONG

Outside diameter tongs are for lifting material by gripping outside diameter of round stock.



### SUPPORT TONG

Support tongs are for lifting materials when the sizes are constant.

**Design Your Own Lifting Tong: (Engineering must approve any modification)**

Tong Type: \_\_\_\_\_ Material to be Lifted: \_\_\_\_\_ Weight of Material: \_\_\_\_\_

Shape of Material: \_\_\_\_\_ Material Dimensions: \_\_\_\_\_

Notes / Crane Hook Requirements: \_\_\_\_\_

**Wisconsin Lifting Specialists**

**“The SMART CHOICE in Lifting and Rigging Products”**

Toll Free: 800-242-4449

[www.wisconsinlifting.com](http://www.wisconsinlifting.com)



**Client Contact Information:**

Company: \_\_\_\_\_

Contact: \_\_\_\_\_

Phone / Fax: \_\_\_\_\_

Email: \_\_\_\_\_