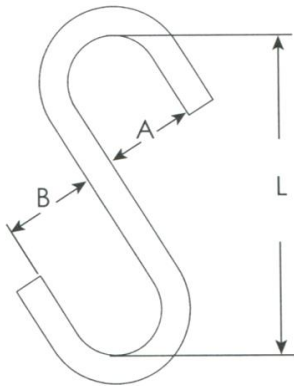


BELOW THE HOOK LIFTING NEEDS ANALYSIS: J & S HOOKS

S Hook – Model 51 Type SS

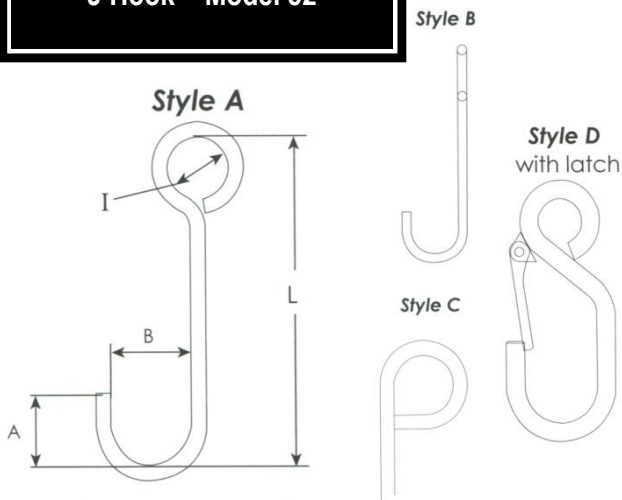


Stock #	Working Load Limit	Material Diameter	A	B	L
SS-02	130 LBS	1/4"	3/4"	3/4"	3"
SS-03	300 LBS	3/8"	1"	1"	4"
SS-04	590 LBS	1/2"	1-1/4"	1-1/4"	6"
SS-05	945 LBS	5/8"	1-1/2"	1-1/2"	7"
SS-06	1260 LBS	3/4"	2"	2"	8"
SS-07	1645 LBS	7/8"	2-1/2"	2-1/2"	10"
SS-08	2075 LBS	1"	3"	3"	11"
SS-09	2560 LBS	1-1/8"	3-1/2"	3-1/2"	12"
SS-10	3100 LBS	1-1/4"	4"	4"	13"
SS-11	4000 LBS	1-3/8"	4"	4"	15"

Design Your Custom S Hook: (Engineering must approve any modification)

WLL: _____ Material Dia: _____ A: _____ B: _____ L: _____

J Hook – Model 52



Stock #	Working Load Limit	Material Diameter	A	B	I	L
JS-02	90 LBS	1/4"	7/8"	1-1/4"	3/4"	5"
JS-03	235 LBS	3/8"	1-1/8"	1-1/2"	3/4"	6"
JS-04	420 LBS	1/2"	1-1/2"	2"	3/4"	8"
JS-05	650 LBS	5/8"	1-7/8"	2-1/2"	1"	9"
JS-06	945 LBS	3/4"	2-1/4"	3"	1"	10"
JS-07	1285 LBS	7/8"	2-5/8"	3-1/2"	1"	12"
JS-08	1680 LBS	1"	3"	4"	1-1/4"	14"
JS-12	4330 LBS	1-1/2"	3-3/4"	5"	1-1/2"	16"

Design Your Custom J Hook: : (Engineering must approve any modification)

WLL: _____ Material Dia.: _____ Eye Style: _____ A: _____ B: _____ I: _____ L: _____

Wisconsin Lifting Specialists:

"The SMART CHOICE in Lifting and Rigging Products"

Toll Free: 800-242-4449

www.wisconsinlifting.com



Client Contact Information:

Company: _____

Contact: _____

Phone / Fax: _____

Email: _____