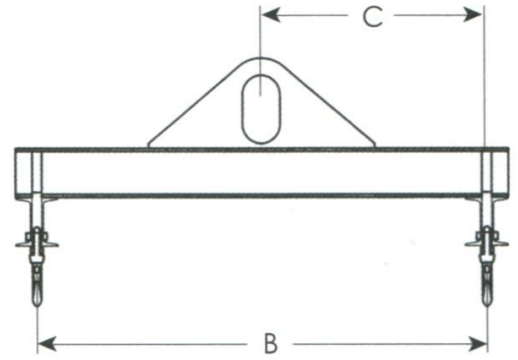
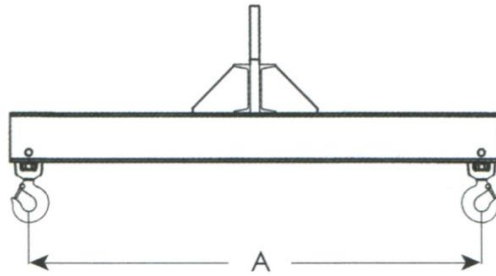
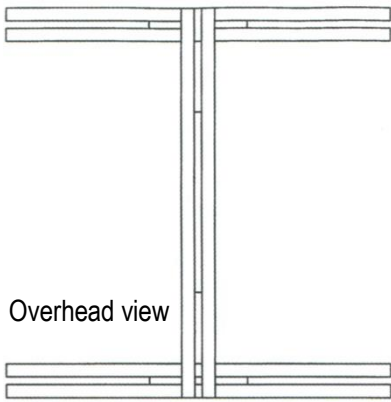


# BELOW THE HOOK LIFTING NEEDS ANALYSIS: 4 POINT LIFT BEAM – MODEL 34



- Used for handling large loads requiring multiple pick points
- The design can include adjustable bail for off center loading as well as multiple spreads

**Design Your Own 4 Point Lift Beam: (Engineering must approve any modification)**

Span A: \_\_\_\_\_ Distance C: \_\_\_\_\_

Span B: \_\_\_\_\_ Capacity: \_\_\_\_\_

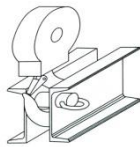
Notes / Crane Hook Requirements: \_\_\_\_\_

\_\_\_\_\_

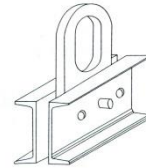
\_\_\_\_\_



Option A:  
Extra Holes for Different  
Spreads  
  
Allows for multiple hook  
positioning



Option B:  
Pin Bail Type  
  
Allows for lowering of head  
room



Option C:  
Adjustable Bail  
  
For off center loads



**Wisconsin Lifting Specialists**

**“The SMART CHOICE in Lifting and Rigging Products”**

Toll Free: 800-242-4449

[www.wisconsinlifting.com](http://www.wisconsinlifting.com)

**Client Contact Information:**

Company: \_\_\_\_\_

Contact: \_\_\_\_\_

Phone / Fax: \_\_\_\_\_

Email: \_\_\_\_\_