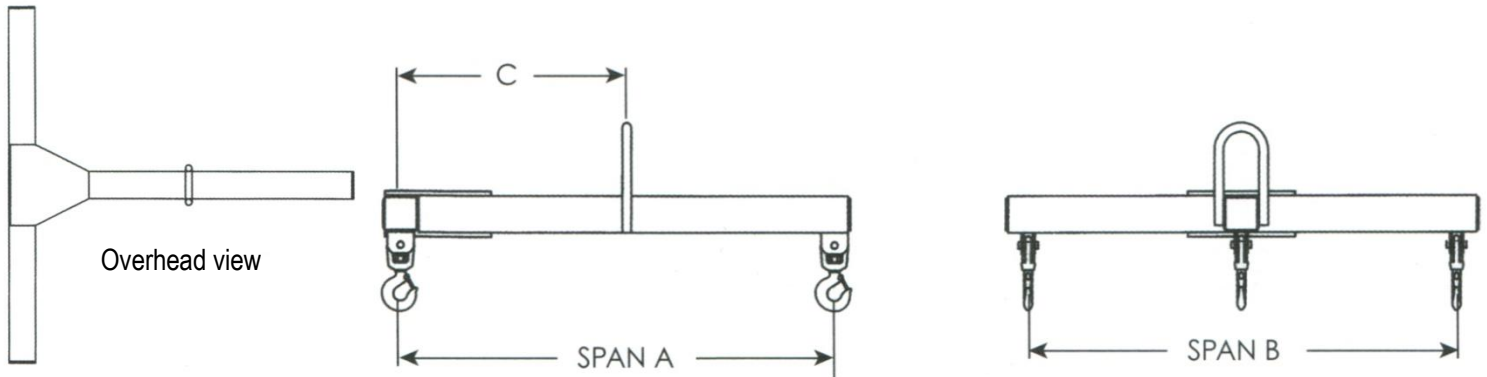


BELOW THE HOOK LIFTING NEEDS ANALYSIS: 3 POINT LIFT BEAM – MODEL 33



- Used for handling large loads requiring multiple pick points
- The design can include adjustable bail for off center loading as well as multiple spreads
- Can be counter weighted to hang level when not loaded

Design Your Own 3 Point Lift Beam: (Engineering must approve any modification)

Span A: _____ Distance C: _____

Span B: _____ Capacity: _____

Notes / Crane Hook Requirements: _____



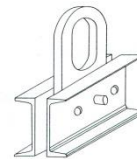
Option A:
Extra Holes for Different
Spreads

Allows for multiple hook
positioning



Option B:
Pin Bail Type

Allows for lowering of head
room



Option C:
Adjustable Bail

For off center loads

Wisconsin Lifting Specialists

**“The SMART CHOICE in Lifting and
Rigging Products”**

Toll Free: 800-242-4449

www.wisconsinlifting.com



Client Contact Information:

Company: _____

Contact: _____

Phone / Fax: _____

Email: _____