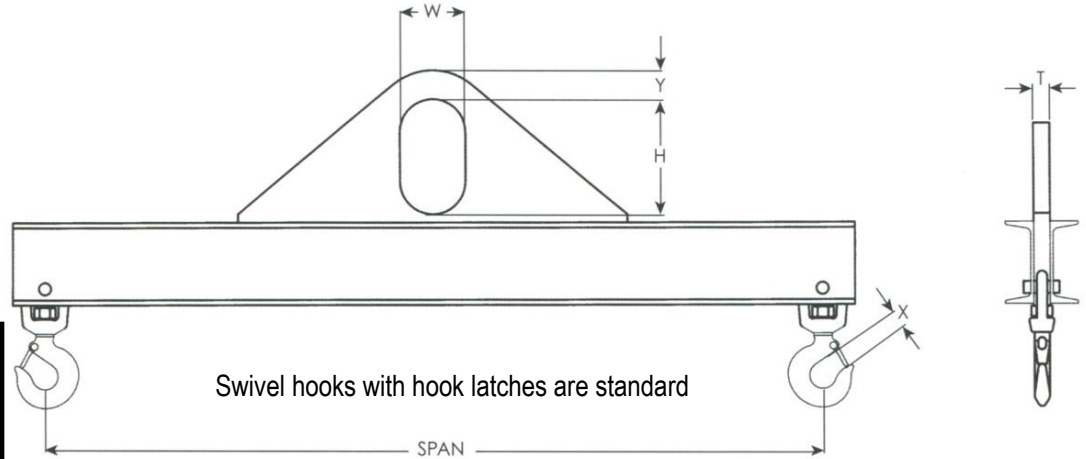


BELOW THE HOOK LIFTING NEEDS ANALYSIS: 2 POINT LIFT BEAM – MODEL 30



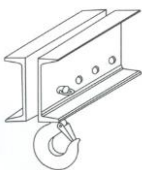
Standard 2 Point Beam Nominal Dimensions

Capacity	2' Span	6' Span	10' Span	14' Span	16' Span	W	H	Y	T	X
1/4 Ton	30-1/4-2	30-1/4-6	30-1/4-10	30-1/4-14	30-1/4-16	2"	3"	1/2"	1/2"	7/8"
1/2 Ton	30-1/2-2	30-1/2-6	30-1/2-10	30-1/2-14	30-1/2-16	2"	3"	5/8"	1/2"	7/8"
1 Ton	30-1-2	30-1-6	30-1-10	30-1-14	30-1-16	3"	4-1/2"	3/4"	3/4"	15/16"
2 Ton	30-2-2	30-2-6	30-2-10	30-2-14	30-2-16	3"	4-1/2"	3/4"	3/4"	1"
3 Ton	30-3-2	30-3-6	30-3-10	30-3-14	30-3-16	4"	7"	1"	1"	1-1/16"
5 Ton	30-5-2	30-5-6	30-5-10	30-5-14	30-5-16	4"	7"	1"	1"	1-3/8"
7-1/2 Ton	30-7 1/2-2	30-7 1/2-6	30-7 1/2-10	30-7 1/2-14	30-7 1/2-16	4"	8"	1-1/4"	1-1/4"	1-5/8"
10 Ton	30-10-2	30-10-6	30-10-10	30-10-14	30-10-16	4"	8"	1-1/4"	1-1/4"	1-5/8"
15 Ton	30-15-2	30-15-6	30-15-10	30-15-14	30-15-16	5"	8-1/2"	1-1/2"	1-1/2"	2-1/16"
20 Ton	30-20-2	30-20-6	30-20-10	30-20-14	30-20-16	6"	11"	1-3/4"	1-3/4"	2-1/4"

Design Your Own 2 Point Beam: (Engineering must approve any modification)

Capacity: _____ Span: _____ Option(s): _____ W: _____
 H: _____ Y: _____ T: _____ X: _____

Notes / Crane Hook Requirements: _____



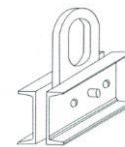
Option A:
Extra Holes for Different Spreads

Allows for multiple hook positioning



Option B:
Pin Bail Type

Allows for lowering of head room



Option C:
Adjustable Bail

For off center loads

Wisconsin Lifting Specialists

"The SMART CHOICE in Lifting and Rigging Products"

Toll Free: 800-242-4449
www.wisconsinlifting.com



Client Contact Information:

Company: _____
 Contact: _____
 Phone / Fax: _____
 Email: _____