



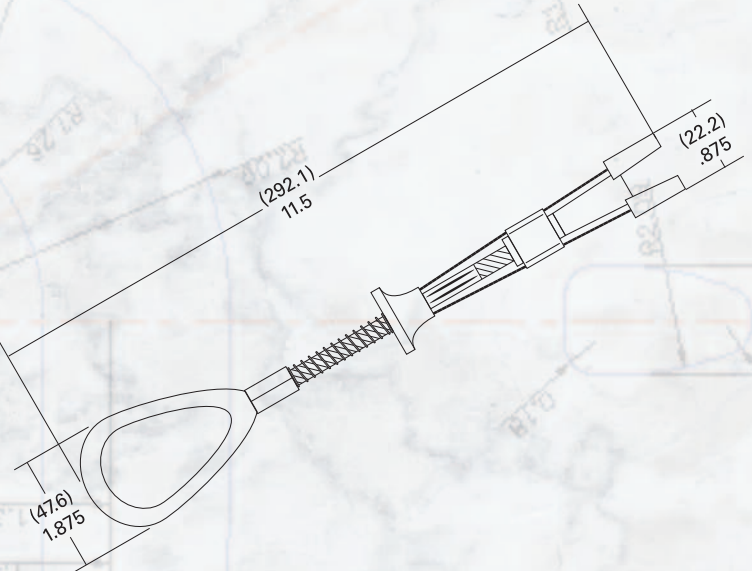
ANCHORS

Email us at: info@ultrasafeusa.com • www.UltraSafeUSA.com



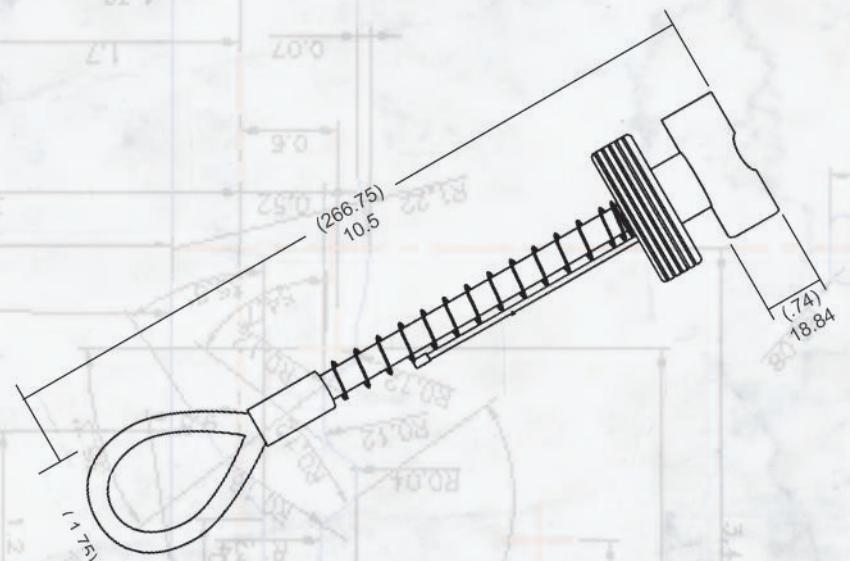
Concrete Anchor

US-1075CA 5,000 MBS for 3/4" dia. hole-3" deep
 US-1100CA 10,000 MBS for 1" dia. hole 4 1/2" deep



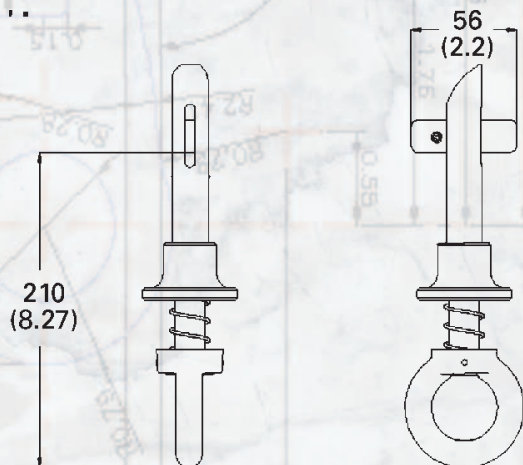
Concrete and Steel Toggle Anchor

US-1075WCA 5,000 MBS for 1" dia. hole



Girder Grip Anchor

US-1075GG 5,000MBS for 3/4" dia. hole



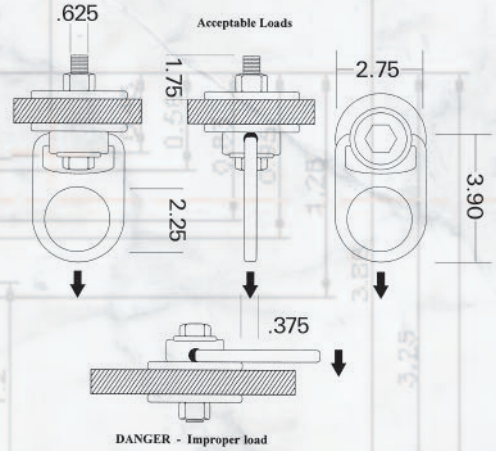
ANCHORS



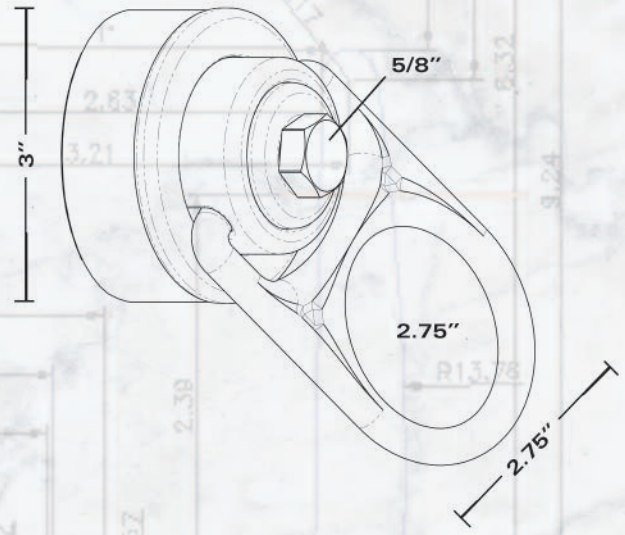
Call **1.800.850.5914** to find an **ULTRA-SAFE** dealer near you!



Anchorage Connector Swivel Eye Concrete on Steel
 US-5082AC – 5/8" 10,000 MBS at 360
 US-5082ACSS - 5/8" 5000 MBS at 360 in
 Stainless Steel



NEW! - Anchor Swivel
 US-5082CAW – 10K Steel Anchor w/ 5/8"
 GB steel bolt and Anchor weld puck



Anchor Swivel Hybrid
 US-5082CAHB – for 1" x 5" hole

